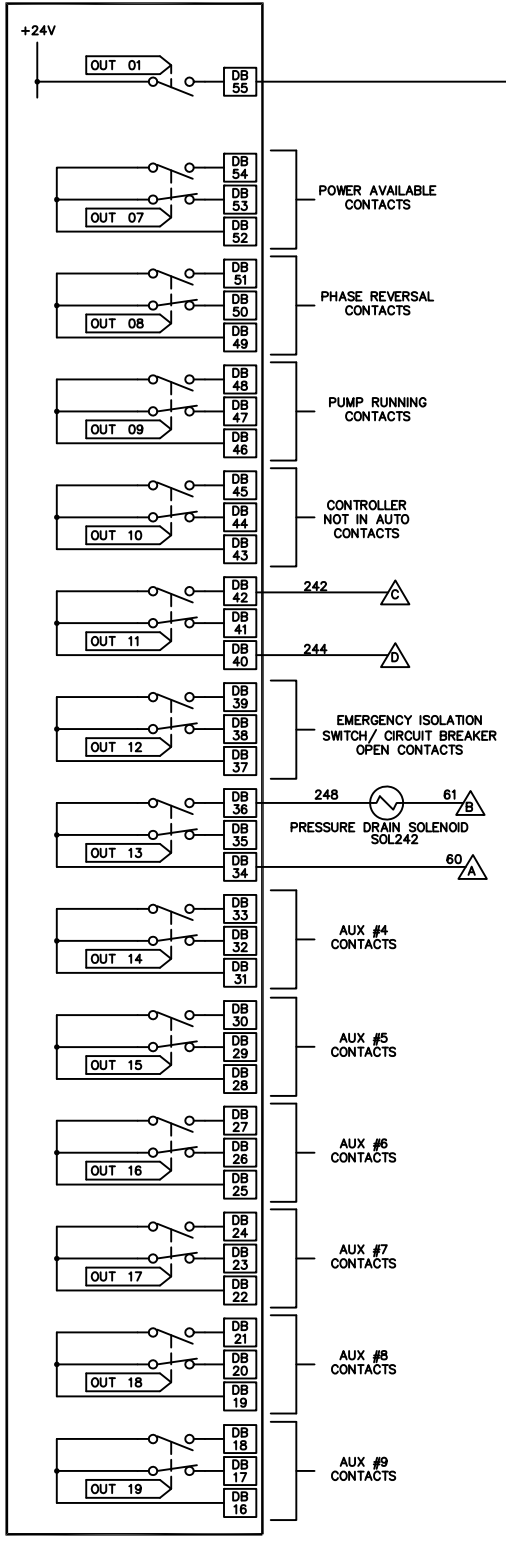


200
230
240
250
260
270



SYSTEM
-VDC PWR
(74)
C

225
HORN225

74

POWER AVAILABLE CONTACTS

PHASE REVERSAL CONTACTS

PUMP RUNNING CONTACTS

CONTROLLER NOT IN AUTO CONTACTS

242 C

244 D

EMERGENCY ISOLATION SWITCH/ CIRCUIT BREAKER OPEN CONTACTS

248 61 B 60 A
PRESSURE DRAIN SOLENOID SOL242

AUX #4 CONTACTS


AUX #5 CONTACTS

AUX #6 CONTACTS

AUX #7 CONTACTS

AUX #8 CONTACTS

AUX #9 CONTACTS

	DRAWN <i>RL</i> 09-30-04	 METRON A Division of: Hubbell ICD, Inc. <small>4301 Cheyenne Dr., Archdale, NC 27263</small>
	CHECK <i>SB</i> 11-05-04	
	APPD <i>M.S.L.</i> 11-05-04	
SCHEMATIC, MODEL MP450 COMBINED MANUAL-AUTOMATIC, AUTOTRANSFORMER ELECTRIC FIRE PUMP CONTROLLER WITH TRANSFER SWITCH		OPTIONS: CS33666F
SCALE NTS		SHEET 2 OF 2